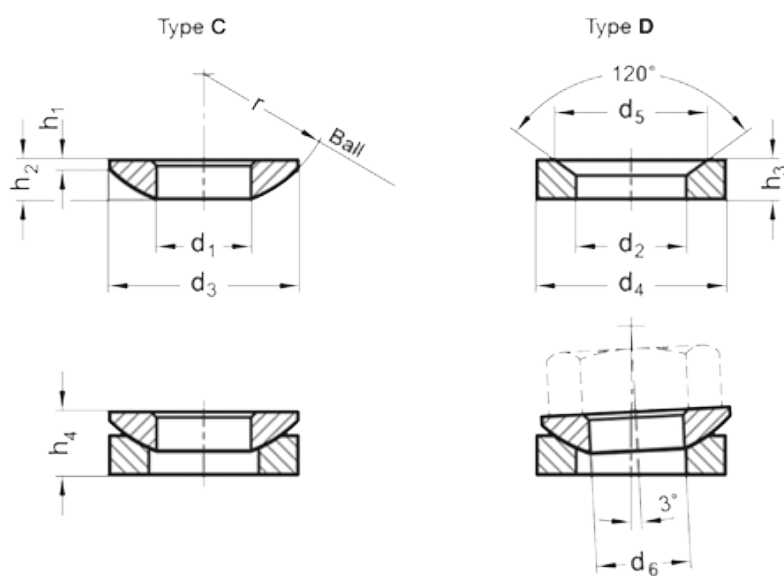


Article number: 208050171

Description: E+G Sphericalwasher male DIN 6319-17-C-NI  
Stainless Steel 1.4305

## Measures



$d_1 = 17.0$

$d_3 = 30$

$d_6 = M16$

$H_1 = 1.3$

$H_2 = 5.3$

$H_4 = 9.6$

$r = 22$